



INSTRUCTIONS FOR CORNER Pro FLAG™

Box Includes: (1) Professional ProFlag™ Carry Bag (1) ProFlag™ Fabric Flag (1) ProFlag™ Pole Tube with plug (1) Flag Pole - Shelter Mounting Bracket with adapters (2) Hook and Loop Strap (1) ProFlag™ Pole Arm Assembly

FLAG ASSEMBLY

Build the full line of Corner Flags in seconds using different pole arm assemblies and flag fabric.

Step 1. Insert the flag pole tube into the bottom of the side sleeve of the flag.

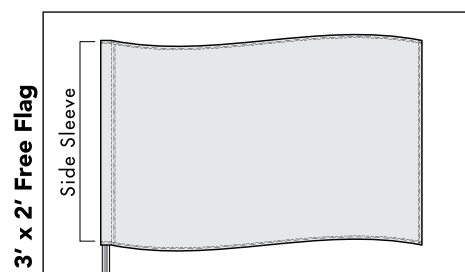
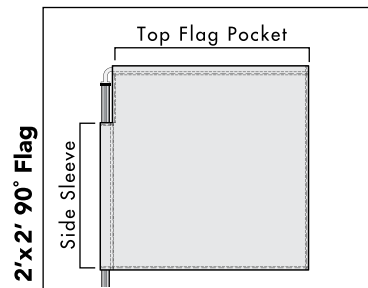
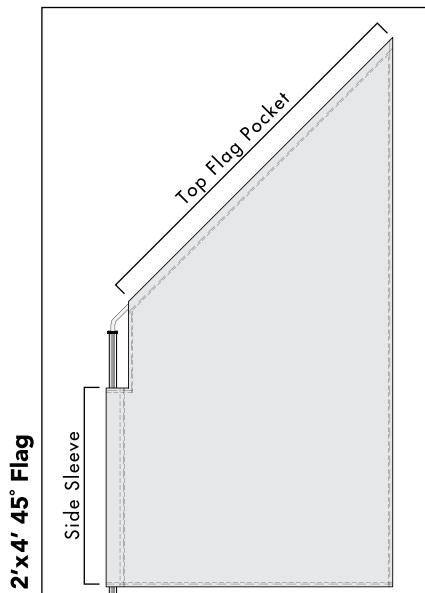
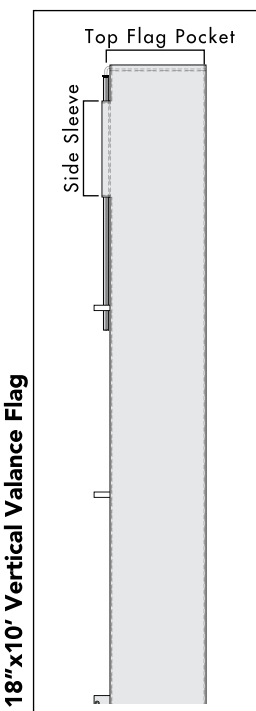
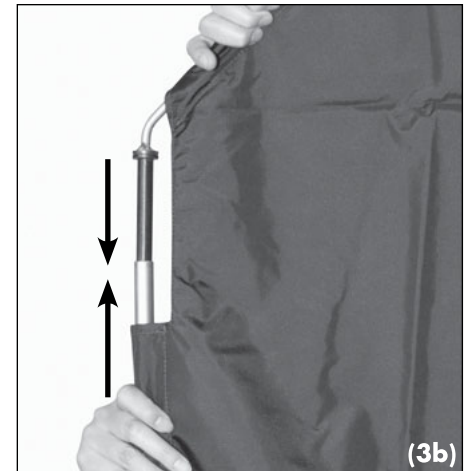
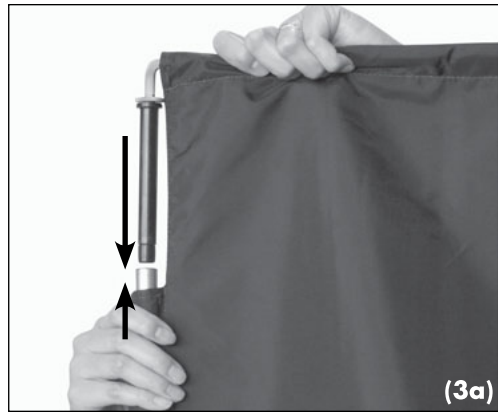
Note: For 3' x 2' Free Flag Only, install the included plug onto the top of the flag pole tube. Insert pole top completely into the bottom of the side sleeve and proceed to Step 4.

Step 2. Insert solid flag pole arm assembly into the top flag pocket.

Step 3. Join the two poles by inserting the angled portion of the arm assembly pole into the top of the flag pole tube.

(3a) Reference for 2'x2' 90° Flag and 18"x10' Vertical Valance Flag.

(3b) Reference for 2'x4' 45° Flag



CONTINUED ➔



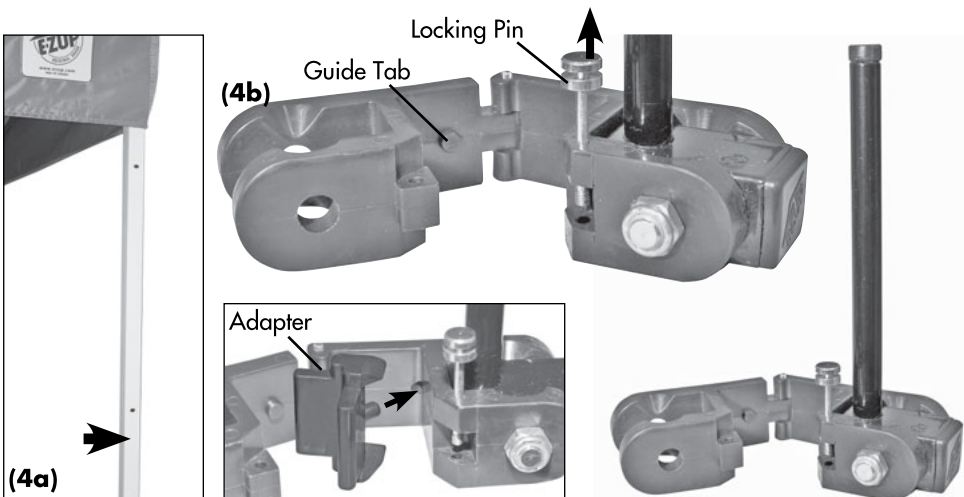
INSTRUCTIONS FOR CORNER Pro FLAG™ CONTINUED

FLAG/SHELTER ATTACHMENT

The hardware is designed to fit on many different E-Z UP® Portable Shelter models. Depending on which model shelter you own, you may need to install one of the included adapters.

	Eclipse™ II	HUT™ II	HUB™	POP™ II	Enterprise™ II
No Adapter:	●	●	●	○	○
Thin Adapter:	○	○	○	●	●
Thick Adapter: (included adapter not applicable)					

Step 4. (4a) Make sure the shelter is fully opened and elevated to the desired height. Locate the second set of mounting holes in the shelter leg.

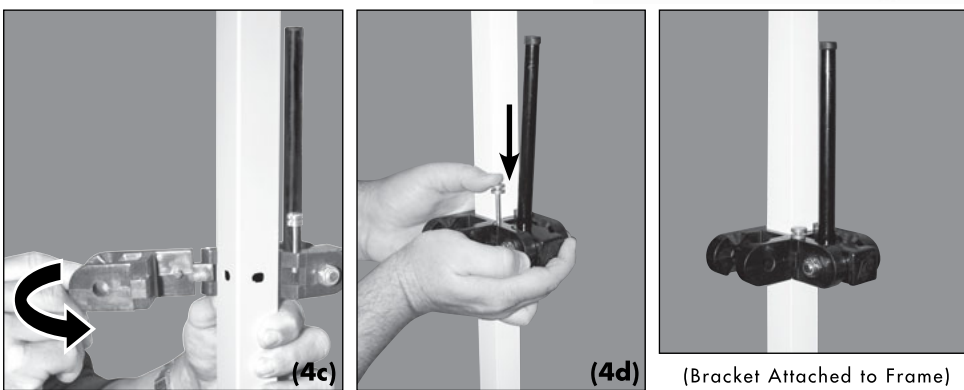


(4b) Open the bracket by lifting the lock pin up and opening the jaws.

Note: If required, insert the center plug of the adapter into the hole in the corner of the inside of the bracket. Press firmly into place.

(4c) Insert the guide tab on the bracket into the hole of the leg.

(4d) Wrap bracket fully around the leg, pressing the locking pin down into place.



Step 5. Insert the flag pole assembly onto the shelter mounting bracket rod.

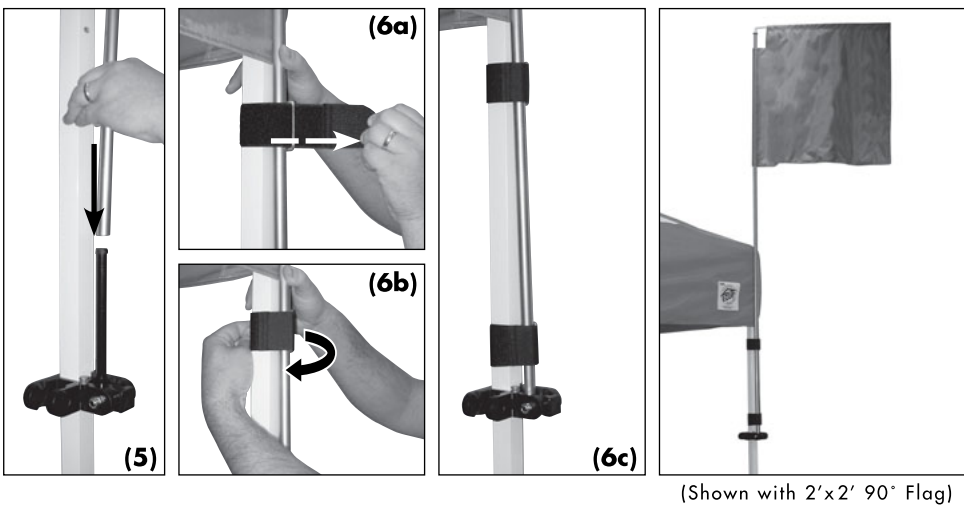
Step 6. Wrap and fasten the hook and loop straps around the flag pole and shelter leg.

(6a) Pull the strap through the metal hook.

(6b) Flip over and press the loop side of the strap into the hook side to secure.

(6c) Repeat step for the additional strap.

Note: To remove and disassemble flag assembly, repeat steps in reverse order and store in carry bag.



Warning: Do not set up within 30 feet of power lines. Do not use during electrical storms or high winds.

INTERNATIONAL E-Z UP, INC.
 1900 Second Street, Norco, California 92860 USA
 Phone (951) 279-0999 • Fax (951) 279-0888 **ezup.com**
800-45 SHADE
 800-457-4233