



# GearRunner™ FOLDING WAGON INSTRUCTION SHEET

Includes: Folding Wagon, Basket and Cooler

**WARNING:** This product is not to be used to transport children or pets.  
Adult assembly and disassembly is required.

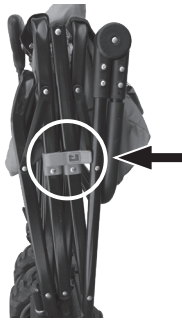


## SET UP

**1** Open hook and loop enclosure releasing the handles.



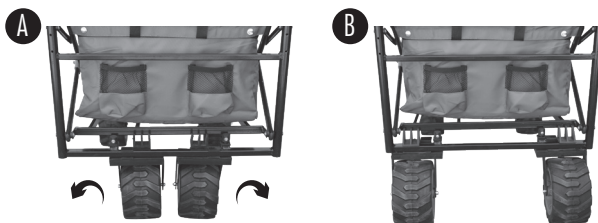
**2** Unlock the red latch by pulling on the tab.



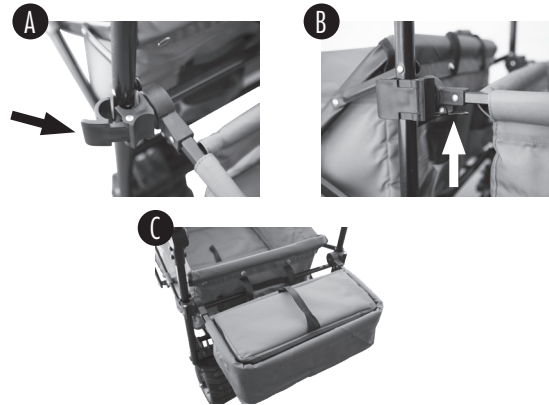
**3** Spread the wagon frame halfway open.



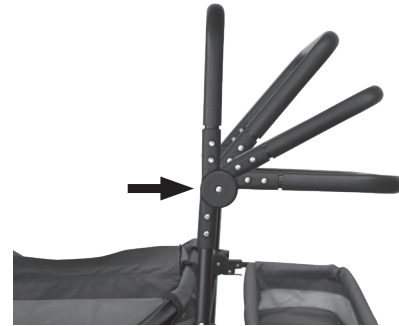
**4** Allow the front wheels to swivel out 180 degrees to lock in place.



**5** To attach the basket align the holes on both sides of the push handle and press the clamps in. To adjust the tilt, press up on the levers.



**6** Adjust the push handle positions by holding in the button on both sides of the handle at the same time.



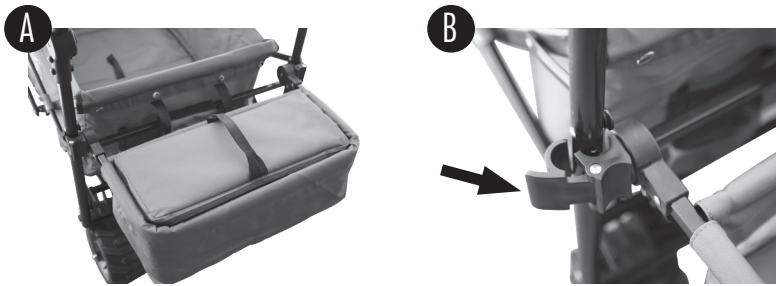
**7** Your wagon is now ready to be used.



## FOLD DOWN

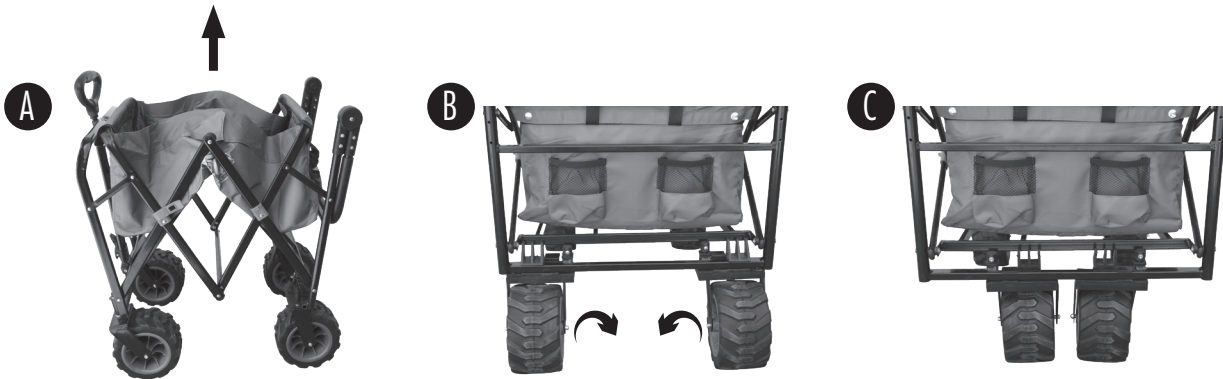
1

Remove the basket by releasing the clamps on the push handle. You must detach the basket before folding the wagon for storage.



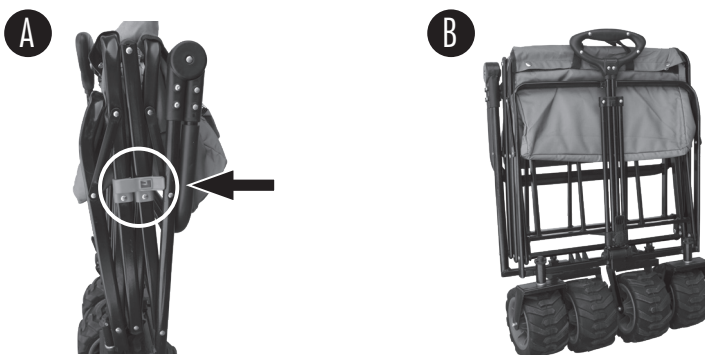
2

Pull straight up on the loop inside the wagon to close halfway. Allow the front wheels to swivel in 180 degrees.



3

While compressing the frame in a closed position, secure the red locking latch.



## CARE AND MAINTENANCE

For long lasting durability and the best possible protection for your E-Z UP® Wagon, follow this E-Z care and maintenance instruction:

- Use mild soap (not detergent) and plenty of water to clean your wagon.

INTERNATIONAL E-Z UP, INC.  
1900 Second St., Norco, California 92860  
800-45-SHADE

The #1 Instant Shelter® Brand in the World

[ezup.com](http://ezup.com)