



# E-Z EVENT SYSTEM™ CANOPY AWNING KIT

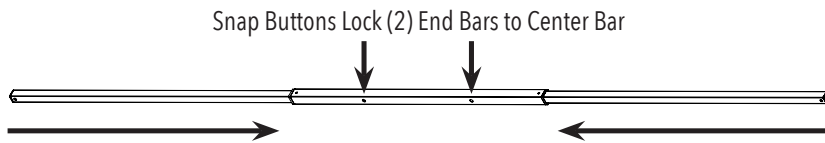
## INSTRUCTION SHEET

Includes: (2) Awning Frame Sides, (1) Awning Cover, (2) Crossbars,  
(4) Square Crossbar Brackets with Thick Inserts, (4) E-Z Brackets



### SET UP

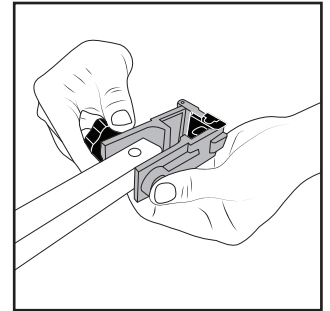
- 1
  - Assemble the crossbar by inserting the two end bars into the center bar, pushing until the snap buttons engage.
  - Attach the bracket with the thick insert to the crossbar, but only tighten slightly. Repeat at both ends.
  - Repeat above steps to assemble the second crossbar.



Snap Buttons Lock (2) End Bars to Center Bar

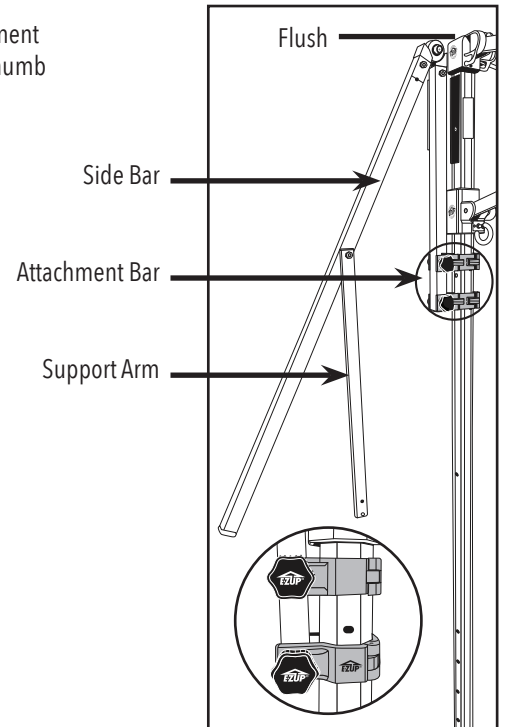


Thick Insert



## 2 INSTALLING THE FRAME SIDE

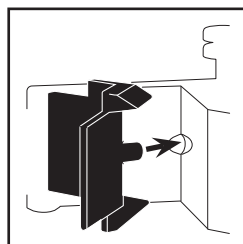
- With two people, wrap the bracket around the leg, insert the thumb screw through the attachment bar, push the bracket up until the top of the bar is flush to the top of the canopy leg, tighten thumb screw until snug. Install second bracket.
- Repeat with two brackets on each side of awning.
- Note that second person holds support arm and side bar is hanging down out of the way.
- If an insert is needed for the bracket to fit snug on the leg, push the center plug into the bracket hole.
  - Thick insert = square 1" legs: Vue™
  - Thin insert = square 1-1/8" legs: Patriot™, Pyramid™, Spectator™, Vantage™
  - No insert needed for square 1-1/4" legs: Eclipse™
  - No insert needed for octagon 2" legs: Endeavor™



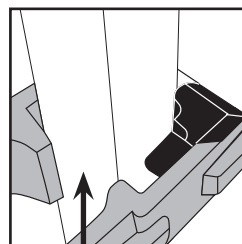
Thin Insert



Thick Insert



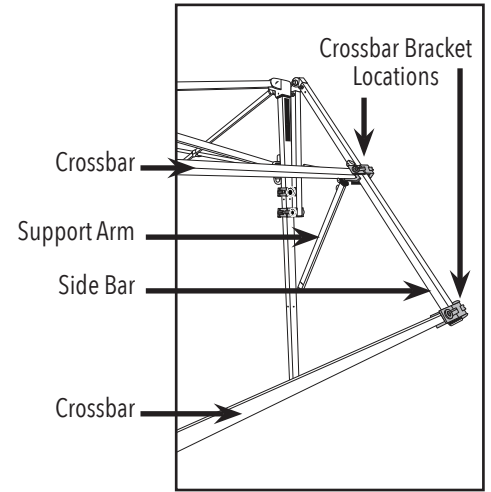
Center Plug



Wrong Insert (Bracket Can't Close)

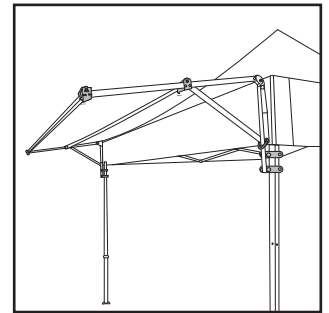
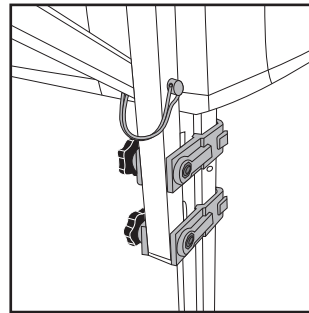
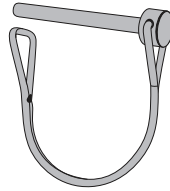
### 3 INSTALLING THE CROSSBAR BRACKETS

- With two people position the crossbar brackets on the side bar near the support arm, fully loosen the thumb screws and attach two brackets to the side bar. Tighten until snug.
- Repeat steps and attach the second crossbar bracket so it is flush to the end of the side bar.
- Note that the support arms should be hanging down and not attached to anything at this point.



### 4

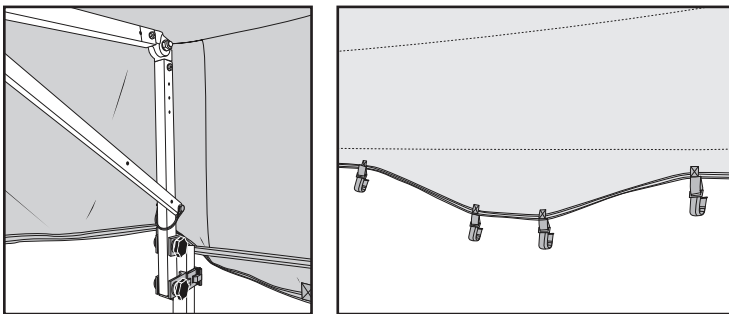
- With two people, raise the awning frame and install the locking pins on each side through the attachment bar into the support arm and latch closed.



### 5 INSTALLING THE AWNING COVER

- Unfold the cover and place it over the awning frame, pull the cover down over the frame.
- Attach the hook and loop straps on the inside of the cover to the awning frame.
- Attach the hooks to the inside of the canopy frame. (This prevents water from falling between the awning and canopy)

View From Under Awning



View From Under Canopy

