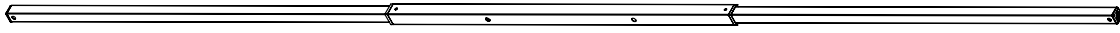


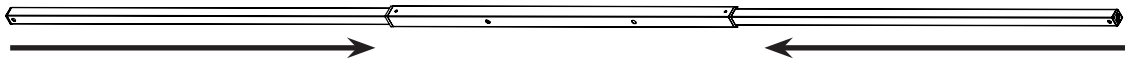


E-Z EVENT SYSTEM CROSSBAR INSTRUCTION SHEET

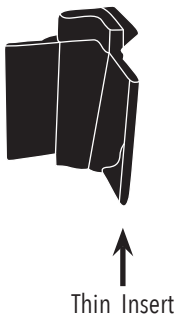


SET UP

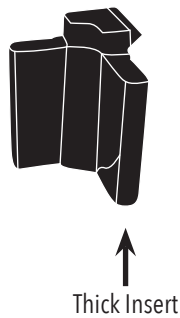
- 1** Assemble the crossbar by inserting the two end bars into the center bar, pushing until the snap buttons engage.



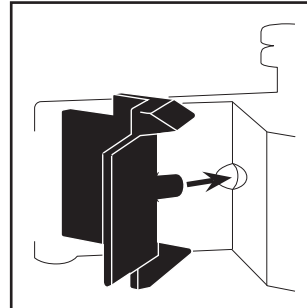
- 2**
- If an insert is needed for the bracket to fit snug on the leg, push the center plug into the bracket hole.
 - Thick insert = square 1" legs (Dome®, Sprint®, Vista™, Vue™)
 - Thin insert = square 1-1/8" legs (Patriot™, Pyramid™, Spectator™, Vantage™)
 - No insert needed for square 1-1/4" legs (Eclipse™)
 - No insert needed for octagon 2" legs (Endeavor™)



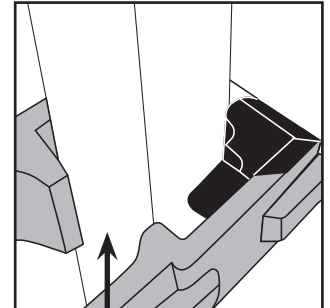
Thin Insert



Thick Insert



Center Plug



Wrong Insert
(Bracket Can't Close)

- Wrap the bracket around the leg.
- Insert the screw through the bracket and the crossbar, tighten until snug.
- Repeat the process on the opposite side.

